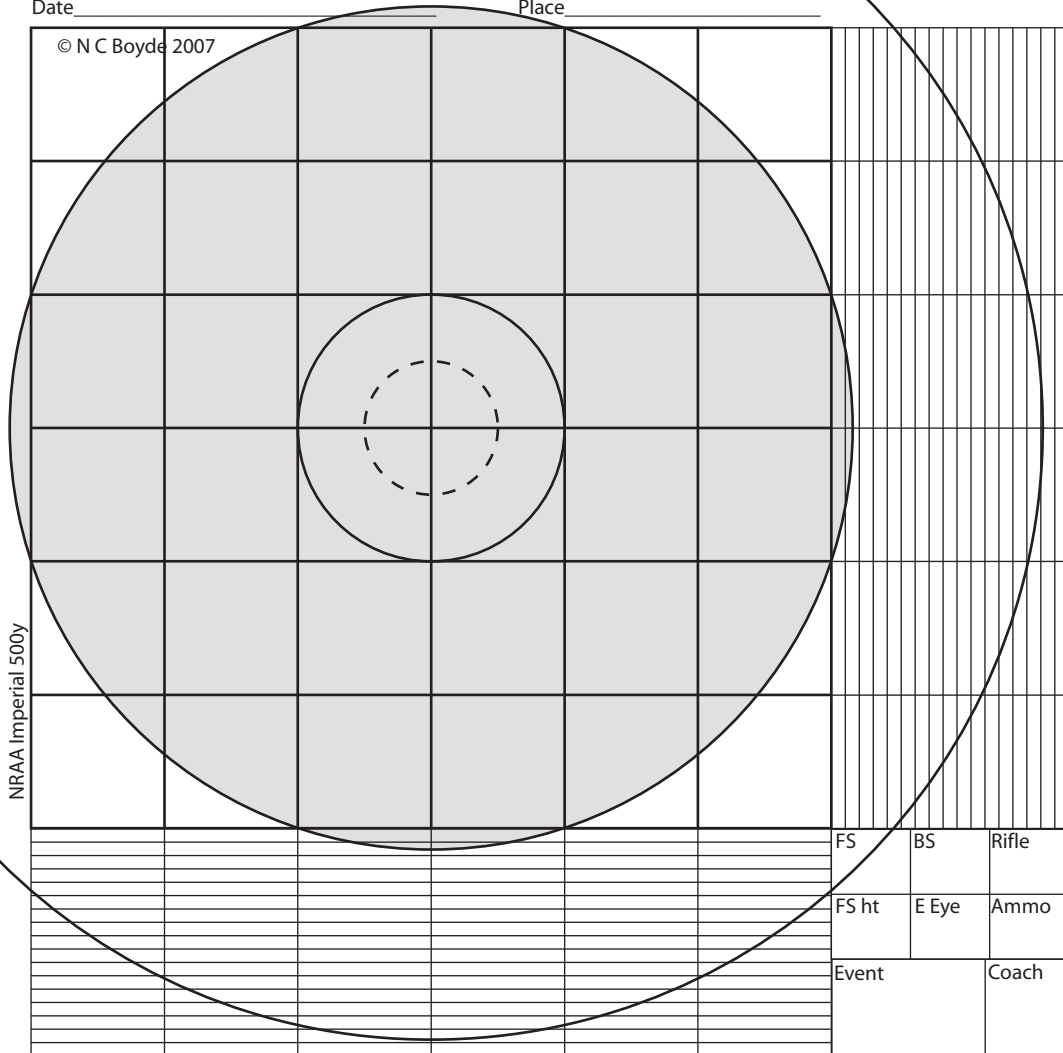


Date _____

Place _____

© N C Boyde 2007

NRAA Imperial 500y



Shot	Elev	Wind	Wind	Call	Score
A					
B					
1					
2					
3					
4					
5					
6					
7					
8					
9					
10					
11					
12					
13					
14					
15					
500y					
Total					

FS

BS

Rifle

FS ht

E Eye

Ammo

Event

Coach

500y
Total