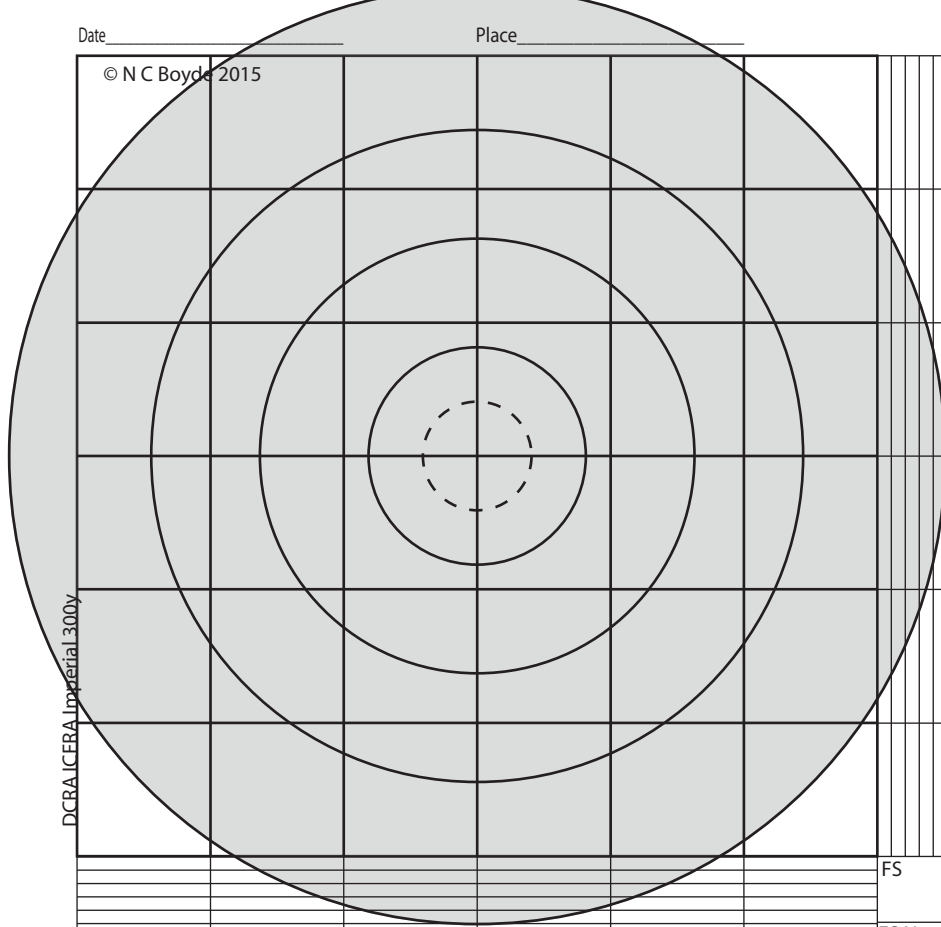


Date _____

Place _____

Shot Elev Wind Wind Call Score

© N C Boyd 2015



DCRA ICERA Imperial 300y

A					
B					
1					
2					
3					
4					
5					
6					
7					
8					
9					
10					
11					
12					
13					
14					
15					

FS BS Rifle

FS Ht E Eye Ammo

Event Coach

300y
Total

--	--	--	--	--	--

